

MODIFICATION BULLETIN NO. 1

ISSUED ON: July 15th, '96

Model		RN925 (VT2400/ Ges 5340/ Rex 1255/ ABD 6550)					Code	Model Name	Serial Number
Modified Article		Component parts of the paper delivery table							
Reason for Modification		To stack copies more evenly on the paper delivery table							
Draw No.	Old Parts No.	New Parts No.	Description	Q'ty Used Old→New	Inter-changeability	Parts Catalog		Note	
						NO.	Page		
	C222 6101		Delivery Table Unit (LT)	1 → 0				The old description was incorrect.	
		C227 6101	Delivery Table Unit (A4)	0 → 1	X / O	*	43		
	C222 6265		Delivery Table Unit (A4)	1 → 0				The old description was incorrect.	
		C222 6271	Delivery Table Unit (LT)	0 → 1	X / O	*	43		
	C209 6159	C227 6159	End Fence Spring - Large	2 → 2	X / O	5	43		
	C209 6181		Front Guide Plate	1 → 0				The old description was incorrect.	
		C227 6146	Rear Guide Fence	0 → 1	X / X	22	43		
	C209 6182		Rear Guide Fence	1 → 0				The old description was incorrect.	
		C227 6147	Front Guide Fence	0 → 1	X / X	23	43		
	C209 6142	C227 6142	Guide Fence Slider	2 → 2	X / O	27	43		
	C209 6149	C227 6157	Guide Fence Spring	2 → 2	X / O	28	43		

Interchangeability:

The mark to the left of the slash indicates whether the old part can be used in the new machine, and the mark to the right indicates whether the new part can be used in the old machine.
 x = Not interchangeable o = Interchangeable



H. Kokubo,
 Priport Service Planning Section

MODIFICATION BULLETIN NO. 1

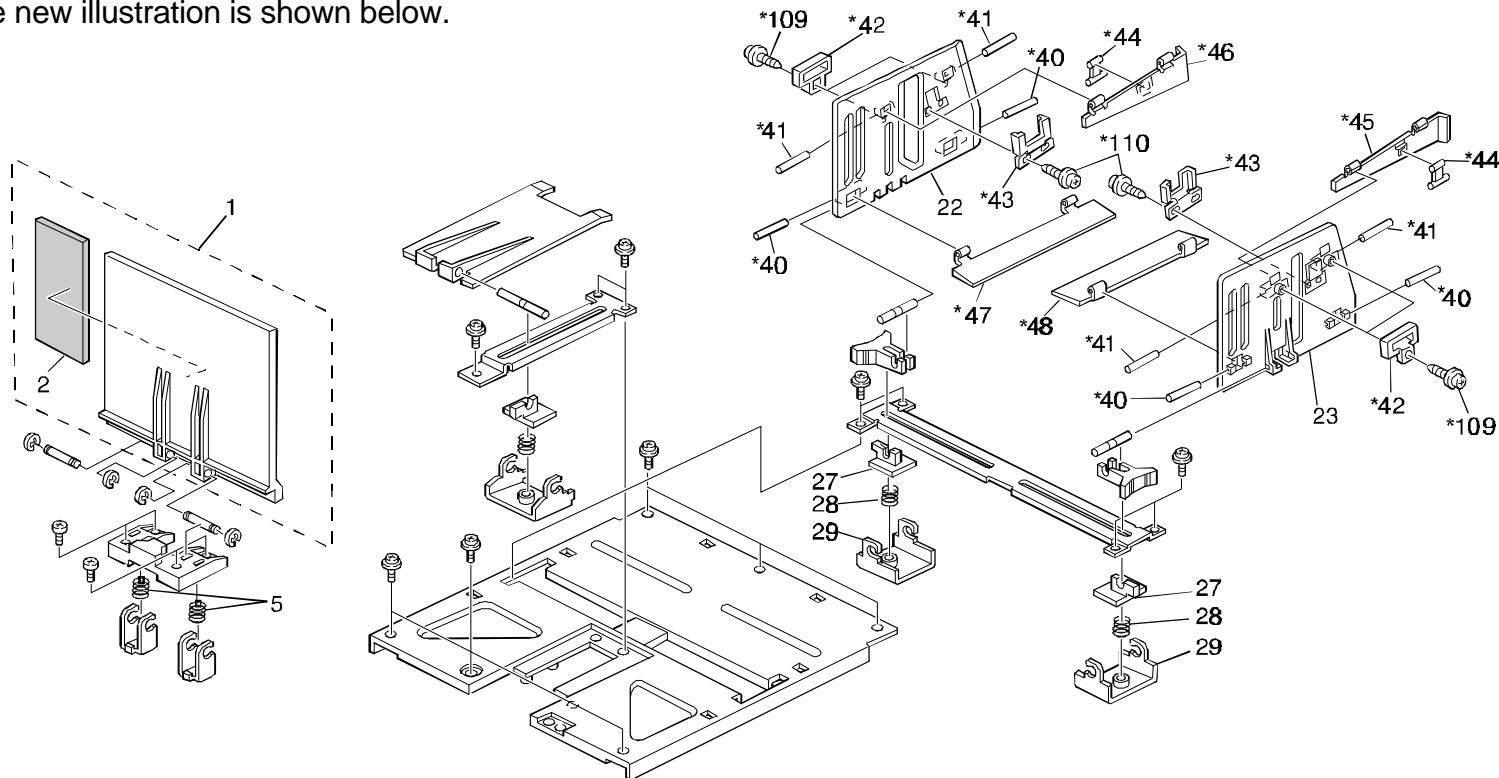
ISSUED ON: July 15th, '96

Draw No.	Old Parts No.	New Parts No.	Description	Q'ty Used Old→New	Inter-change-ability	Parts Catalog		Note
						NO.	Page	
	C209 6145	C227 6145	Guide Fence Bracket	2 → 2	X / O	29	43	
	C209 6184	C227 6184	End Fence	1 → 1	X / O	1	43	
	C209 6156		Sponge Seal - 4.5 x 65 x 175	2 → 0				
		C227 6196	End Fence Cushion	0 → 1	X / X	2	43	
		C227 6166	Lower Guide - Rear Fence (A4)	0 → 1		*47	43	
		C222 6166	Lower Guide - Rear Fence (LT)	0 → 1		*47	43	
		C227 6167	Lower Guide - Front Fence (A4)	0 → 1		*48	43	
		C222 6167	Lower Guide - Rear Fence (LT)	0 → 1		*48	43	
		C227 6155	Lower Guide Shaft	0 → 4		*40	43	
		C2276156	Upper Guide Shaft	0 → 4		*41	43	
		C227 6158	Guide Stopper	0 → 4		*42	43	
		C227 6160	Upper Guide Spring Plate	0 → 2		*43	43	
		C227 6162	Upper Guide Link	0 → 2		*44	43	
		C227 6172	Upper Guide - Front Fence	0 → 1		*45	43	
		C227 6173	Upper Guide - Rear Fence	0 → 1		*46	43	
		04504008W	Philips Tapping Screw - M4x8	0 → 4		*109	43	
		04503008W	Philips Tapping Screw - M3x8	0 → 4		*110	43	

*: New Index

DETAILS OF MODIFICATION

To stack the copies more evenly on the paper delivery table, some component parts of the table have been changed as described on the previous pages. (For details, refer to RTB-012.) The new illustration is shown below.




* : New Index

MODIFICATION BULLETIN NO. 1

ISSUED ON: July 15th, '96

MODEL NAME	V/Hz	DESTINATION	CODE	SERIAL NUMBER
Ges 5340 / Rex 1255 / NSA CP340	120/60	USA, Canada	C222-12	From production after July '96
A.B. Dick 6550	120/60	USA, Canada	C222-18	A2226070001
Ges 5340 / Rex1255 / NSA CP6550	220, 240/50	Europe, Asia	C222-22	59496060001
Ricoh VT2400	220, 240/50	Europe	C222-27	C3376060001

Model: PRIPORT RN925		Date: 15-Jun-99	No: MC222002
Modified Article: Upper and Lower Master Eject Belts		Prepared by: 	
From: Priport Service Planning Section		H. Kokubo	
Classification: <input type="checkbox"/> Parts catalog correction <input type="checkbox"/> Vendor change <input type="checkbox"/> To meet standards <input type="checkbox"/> To facilitate assembly <input checked="" type="checkbox"/> To improve reliability () <input type="checkbox"/> Part standardization <input type="checkbox"/> Other ()			
Model Name:			
Ricoh VT2400, Gestetner 5340, RexRotary 1255, nashuatec CP340, ABDICK 6550			

The upper and lower master eject belts have been changed as follows. The new parts have more tolerance against stretching when used over a long period of time.

Old #	New #	Description	Qty	Int	Page	Index
C219 3605	C219 3611	Upper Belt	4 → 4	X/O	71	28
C219 3606	C219 3612	Lower Belt	4 → 4	X/O	71	29



Model: PRIPORT RN925**Date:** 15-Jun-99**No:** MC222002**CUT IN SERIAL NUMBERS**

Model Name	V/Hz	Destination	Code	Serial Number
Ges 5340, Rex 1255, Nsa CP340	120/60	USA, Canada	C222-12	5650 9040001
ABDICK 6550	120/60	USA	C222-18	A222 9040001
Ges 5340, Rex 1255, Nsa CP340	230/50	Europe, etc.	C222-22	5949 9050001
Ricoh VT2400	230/50	China	C222-26	C353 9040001
Ges 5340	230/50	China	C222-28	C352 9040001
Ricoh VT2400	230/50	Europe, etc.	C222-27	C337 9040001